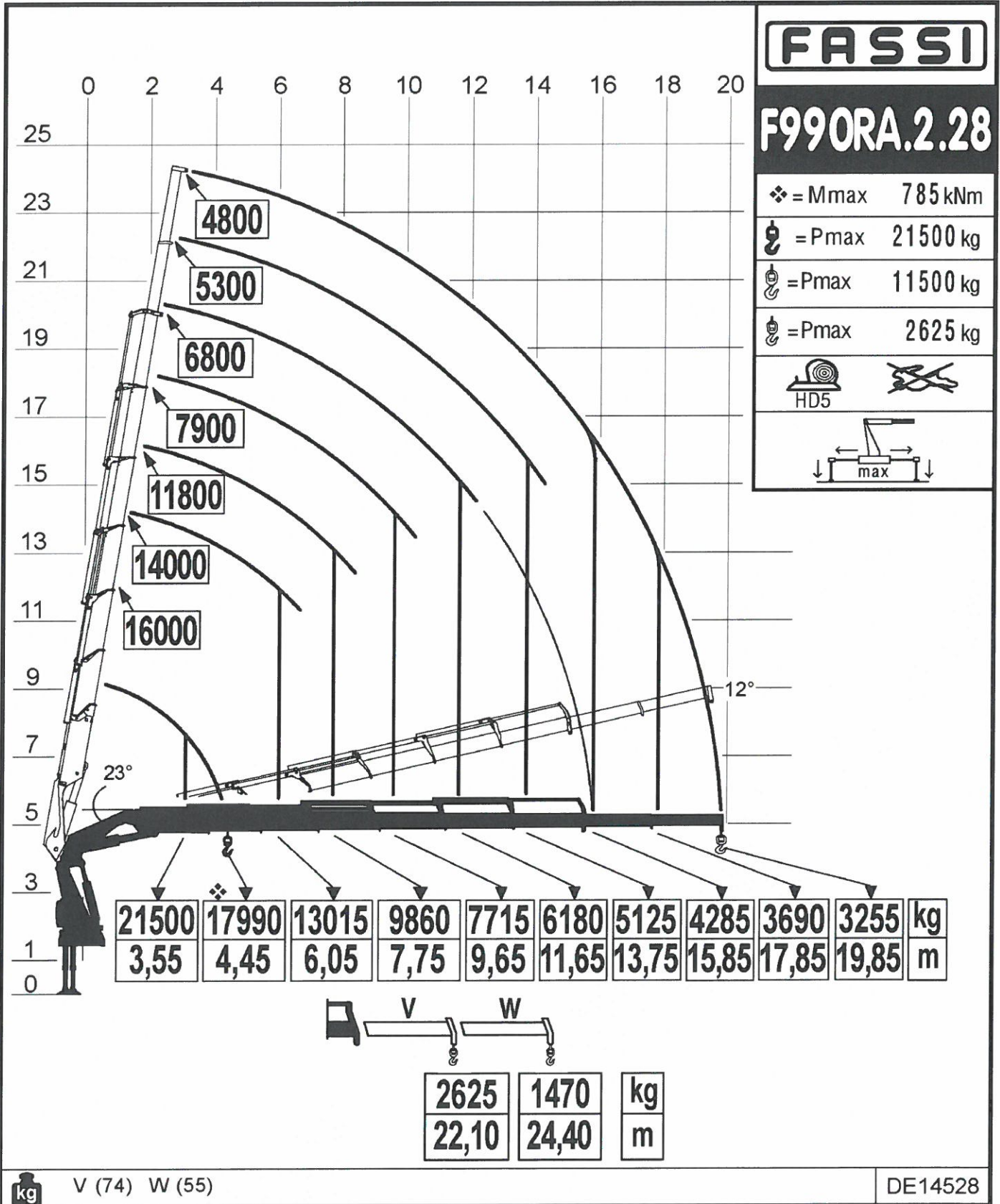


Via Roma, 110
14021 Albino (BG)
Tel.: +39 035 776400
Fax: +39 035 755020
www.fassi.com
fassi@fassi.com

LOAD DIAGRAM WITH LIFTING MOMENT LIMITING DEVICE



FASSI

F990RA.2.28

- ❖ = Mmax 785 kNm
- ⚙ = Pmax 21500 kg
- ⚙ = Pmax 11500 kg
- ⚙ = Pmax 2625 kg



HD5

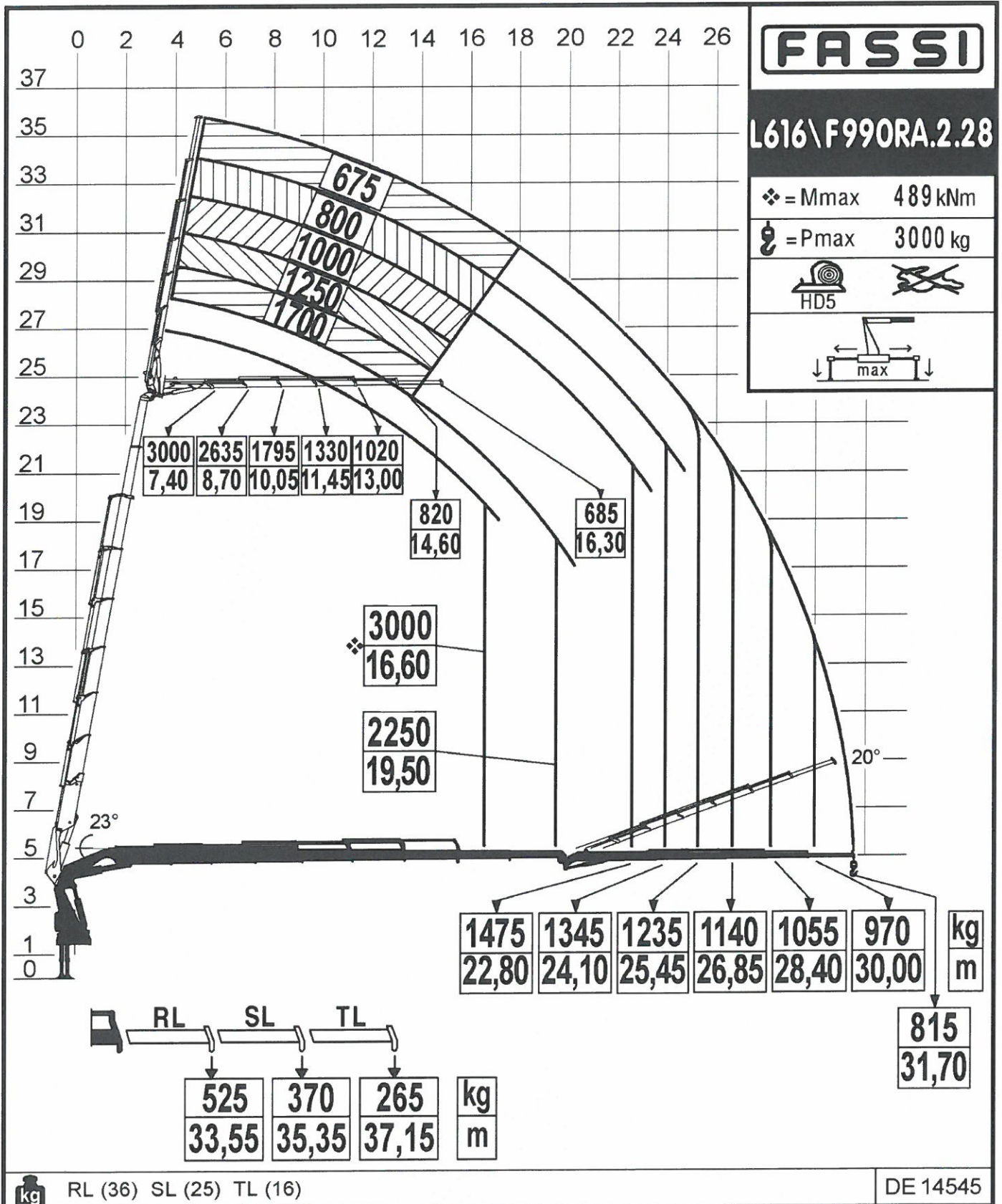




max

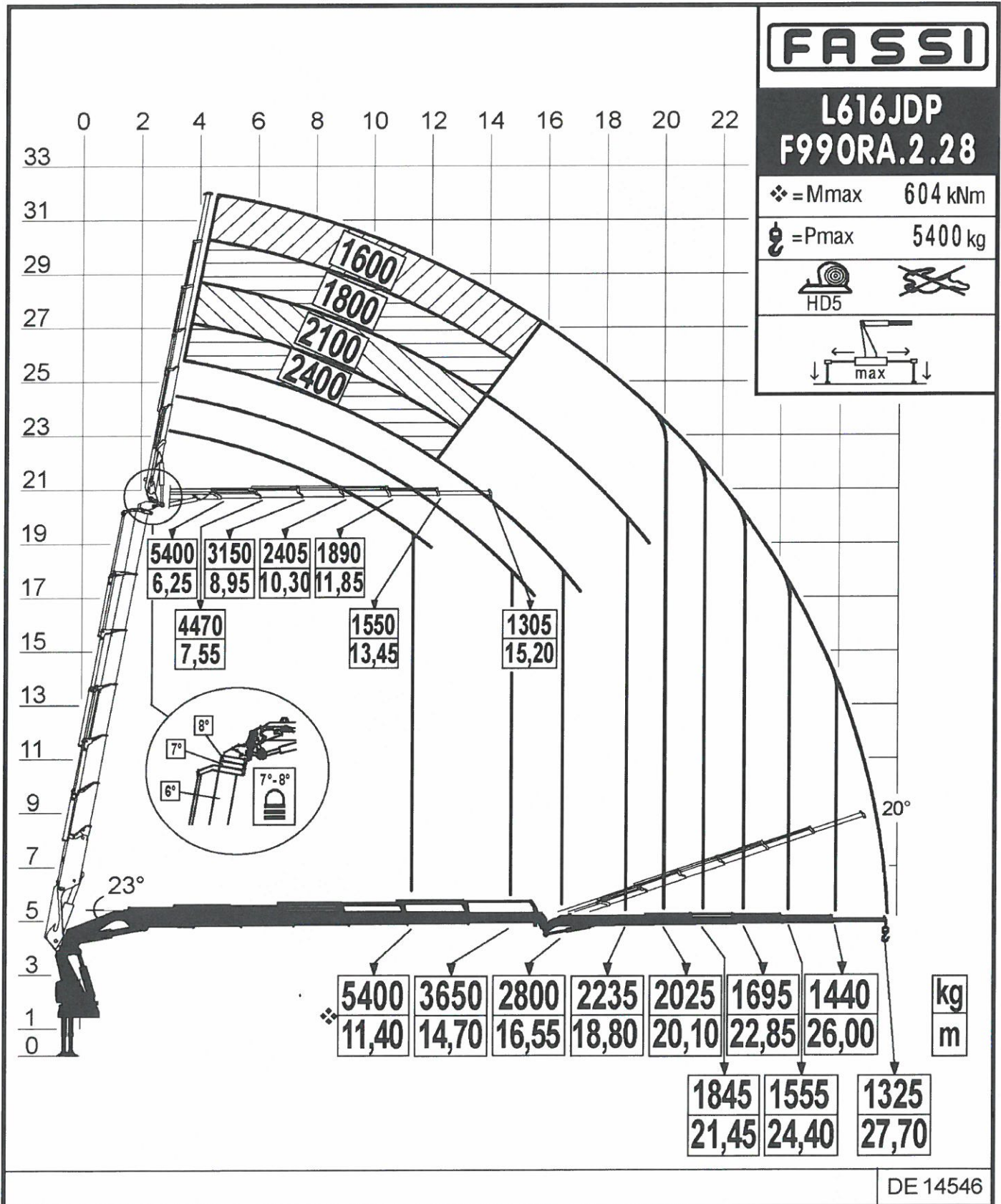
Via Roma, 110
14021 Albino (BG)
Tel.: +39 035 776400
Fax: +39 035 755020
www.fassi.com
fassi@fassi.com

LOAD DIAGRAM HYDRAULIC EXTENSIONS WITH LIFTING MOMENT LIMITING DEVICE



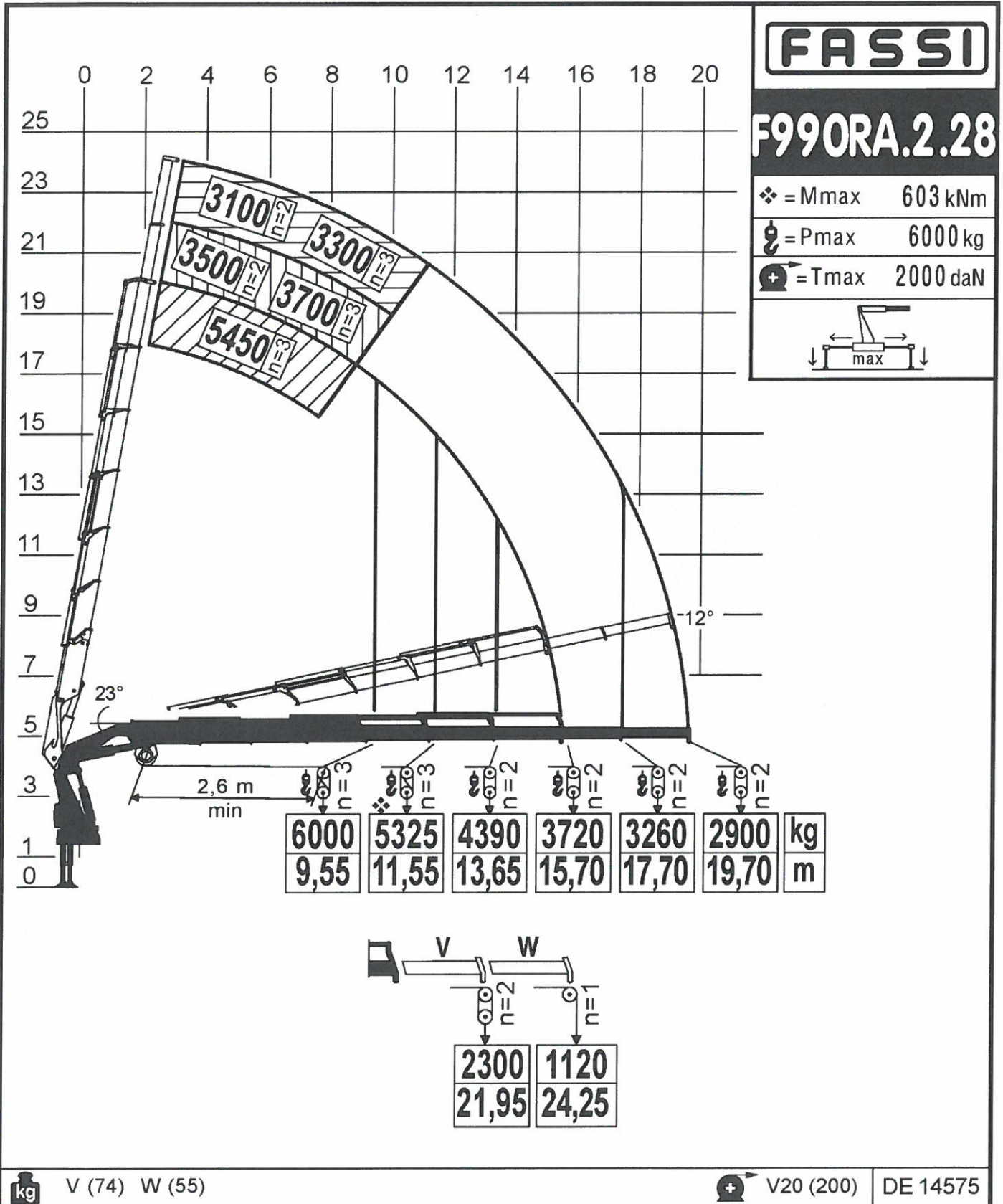
Via Roma, 110
 14021 Albino (BG)
 Tel.: +39 035 776400
 Fax: +39 035 755020
 www.fassi.com
 fassi@fassi.com

LOAD DIAGRAM HYDRAULIC EXTENSIONS WITH LIFTING MOMENT LIMITING DEVICE



Via Roma, 110
14021 Albino (BG)
Tel.: +39 035 776400
Fax: +39 035 755020
www.fassi.com
fassi@fassi.com

LOAD DIAGRAM WITH WINCH AND WITH LIFTING MOMENT LIMITING DEVICE



Via Roma, 110
14021 Albino (BG)
Tel.: +39 035 776400
Fax: +39 035 755020
www.fassi.com
fassi@fassi.com

LOAD DIAGRAM HYDRAULIC EXTENSIONS WITH WINCH AND LIFTING MOMENT LIMITING DEVICE

